


PSS Smart toilets

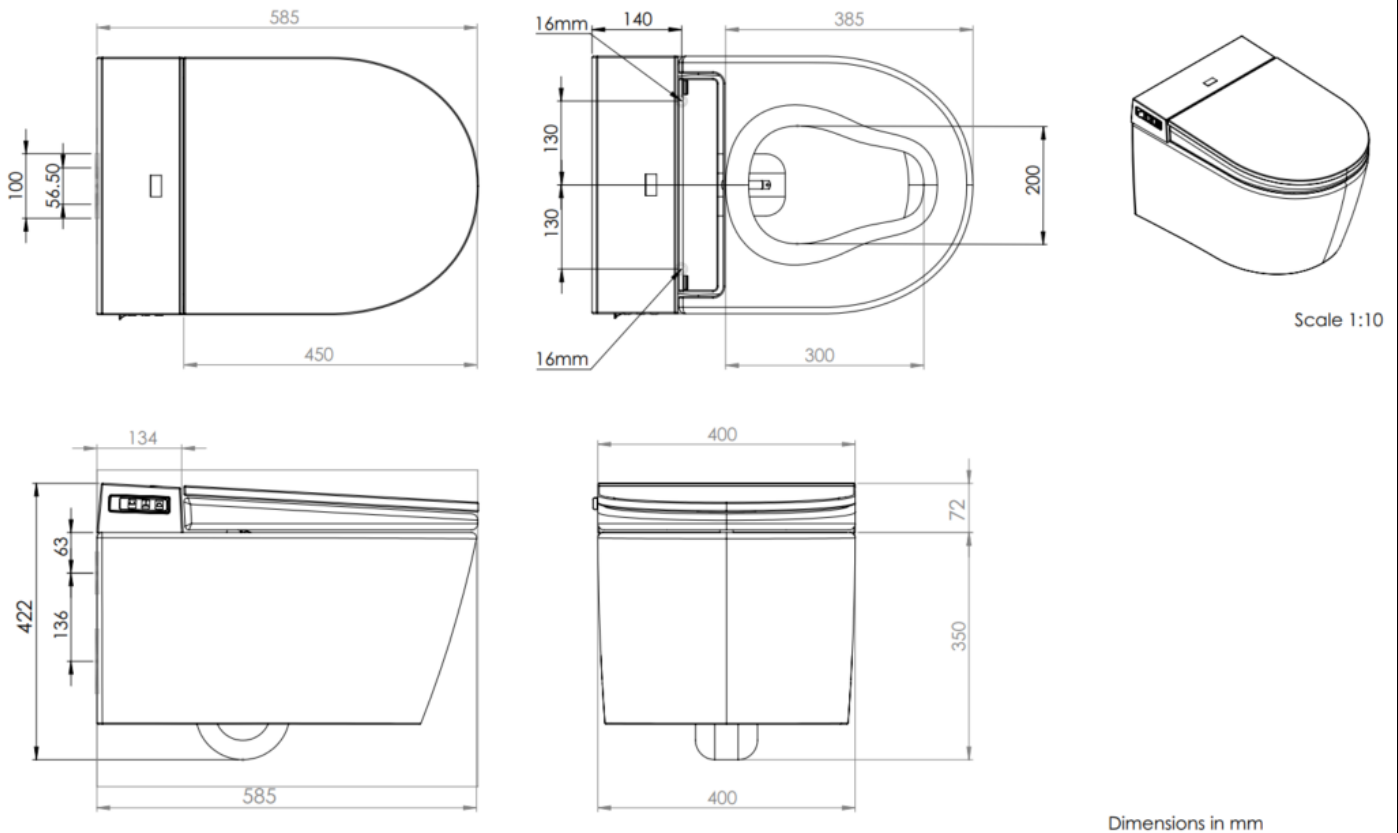


SECTION A – PRODUCT IDENTIFICATION

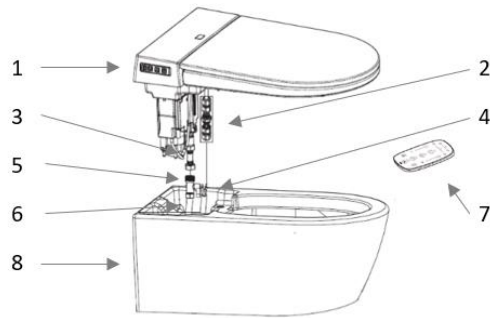
01. GPC SKU	20005992	13. Picture 
02. Brand	ForU	
03. Customer	GPC	
04. Customer SKU		
05. Product Family	Toilets	
06. Market		
07. [Redacted]	[Redacted]	
08. Range	ForU	
09. Series	AVA05	
10. Description	Smart Toilet, Wall Hung, White, With Remote Control Unit (Dimensions 585 X 400 X 422)	
11. Supplier	GPC167	
12. Supplier SKU	T5	

SECTION B – TECHNICAL ILLUSTRATIONS

01. Technical Drawing



02. Exploded View



SECTION C – CUSTOMIZATION

01. Logo Type	02. Logo Position
N/A	N/A

SECTION D – BILL OF MATERIALS (BOM)

Item #	Description	Dimensions (mm)	Material	Finish	Quantity
1.	Seat module	585x400x72	PP	White	1
2.	Power wire seat module				1
3.	Water hose seat module				1
4.	Power wire				1
5.	Ball valve				1
6.	Outlet water hose				1
7.	Remote + (remote) holder	150x70	ABS	White	1
8.	Toilet pan, rimless, P-trap	529x400x300	Ceramic	White	1

INCLUDED CONTENTS

Wall hung toilet including smart seat X 1	ABS + PC remote control x 1, and remote control fixing bracket.	3M tape for remote control fixing bracket mounting
Fixation screws (x2) and screw plugs (x2) for remote control fixing bracket mount	AAA batteries x2 for remote control	Brass nickel plated ball valve x 1 (G1/2M *G1/2M)
G1/2F X G1/2F 90°x 660mm inlet flexible hose x 1	Nozzle for replacement x 1	Noise reducer foam for wall hung x 1
Caps for seat mounting holes X 2	Inlet flexible hose x 1 (G1/2F *G1/2F *30CM), already connected to smart toilet.	Instruction manual and certificate of qualification (CN version).

SECTION E – SPARE PARTS

SKU	Description	BOM Item Numbers	Packaging Details
N/A	N/A	N/A	N/A

SECTION F – PRODUCT VARIATIONS

SKU	Description		
N/A	N/A	N/A	N/A

SECTION G – LOGISTICAL INFORMATION

01. Barcode	5350443101839
-------------	---------------

02. Packaging Details	Brown cardboard carton. Incorporating coloured sleeve. Sleeve paper 300gsm.				
03. Gross Weight (kg)	36				
04. Net Weight (kg)	32				
05. Master Carton Dimensions (mm)	680	x	505	x	565
06. Overall Product Dimensions (mm)	585	x	400	x	422
07. Retail Packaging Dimensions (mm)	[..]	x	[..]	x	[..]
08. Main Product Material / TARIC Code	Ceramic + PP / [..]				
09. Main Product Finish/Colour	Ceramic + PP				
Pallet Loading					
10. Pallet Size (mm)	1010 x 680 x 1839	15. Container Size (mm)		40ft	
11. Master Cartons per Pallet	6	16. Quantity per Container		204	
12. TI (boxes/layer)	2				
13. HI (layers/pallet)	3				
14. Packages in Master Carton	n/a				

SECTION H – CUSTOM LOADING CONDITIONS AND PACKAGING REQUIREMENTS

01. Nylon Strapping	
02. Steel Strapping	
03. Corner Protection	
04. Shrink Wrapping	
05. Flat Plywood Sheet(s)	

SECTION I – RETAIL PACKAGING ARTWORK - sleeve

SECTION J – INCLUDED IN THE PACKAGING	
01. Installation Manual	Yes
02. Warranty Card	Yes
03. Installation Material	Yes
04. Product Care	No

SECTION K – REFERENCE DOCUMENTS	
01. Delivery Conditions	n/a
02. General Specifications	n/a
03. Custom Specifications	n/a
04. Test Report	n/a

SECTION L – CERTIFICATION	
EN1717	<input checked="" type="checkbox"/>
EN13077	<input checked="" type="checkbox"/>
Belgaqua	<input type="checkbox"/>
EN997	<input checked="" type="checkbox"/>
EN/IEC 60335-2-84:2002+A1+A2	<input checked="" type="checkbox"/>
EN60335-1:2012+A11+A12	<input checked="" type="checkbox"/>
Low Voltage Directive	<input checked="" type="checkbox"/>
EN55014-1:2006+A1+A2	<input checked="" type="checkbox"/>
EN61000-3-2:2014	<input checked="" type="checkbox"/>
EN55014-2:1997+A1+A2	<input checked="" type="checkbox"/>
ROHS	<input checked="" type="checkbox"/>
EN62479:2010	<input checked="" type="checkbox"/>
EN301489-1 V 2.2.0:2017	<input checked="" type="checkbox"/>
EN301489-17 V3.2.0:2017	<input checked="" type="checkbox"/>

SECTION M – SUPPLEMENTARY INFORMATION AND TECHNICAL DETAILS	
Electrical Plug	Type E
Rated power	220V~ 50Hz
Effluent-water temperature range	About 35°C~42°C
Drying temperature control	About 32°C~57°C
Surface temperature	Room temperature~About 42°C
Deodorizer	Active carbondeodorising
Soft-close control for seat cover	Slow droppingmechanism
Cleaning water consumption	6.0L/4.0L
Flushing method	Washdown
Rated power	980W
Temperature of supplied water	4°C~35°C
Waterproofing grade	IPX4
Pressure of supplied water	0.07MPa (Dynamic pressure) ~0.75MPa (Static pressure)
Maximum power	1600W
Ambient temperature	3°C~40°C

SECTION N – REVISION DETAILS			
Revision Number	Revision Description	Author Initials	Date

Product Specification Sheet

1.0	Creation	RS	16-Sep-2020
1.1	update	MZ	08-Oct-2020